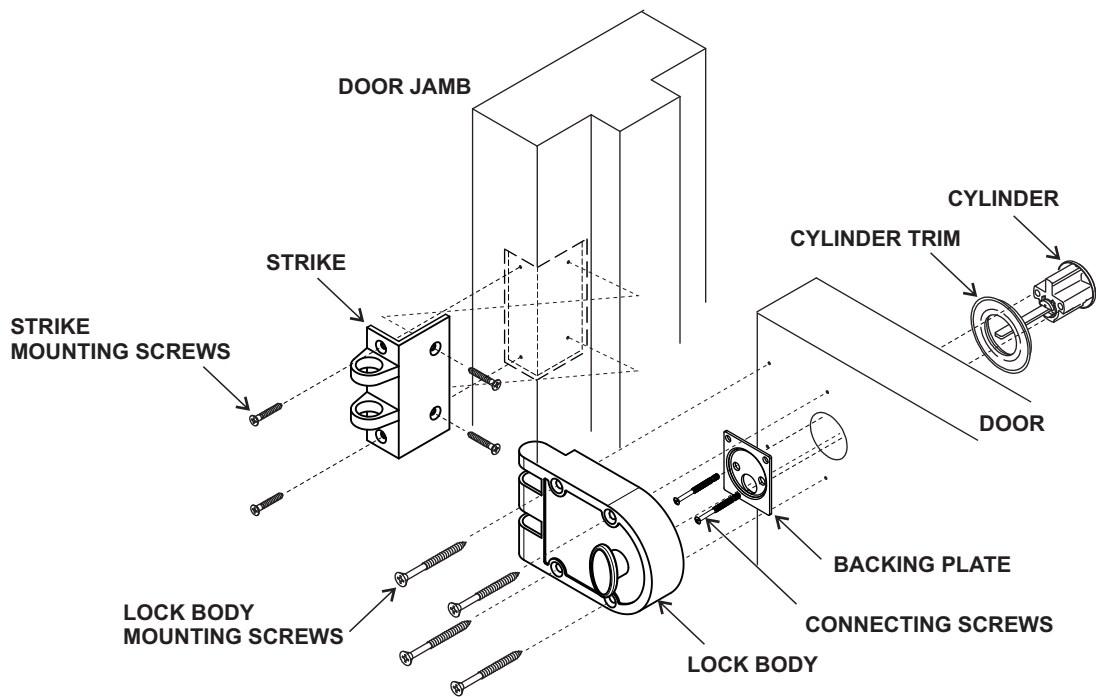




RIM DEADLOCK

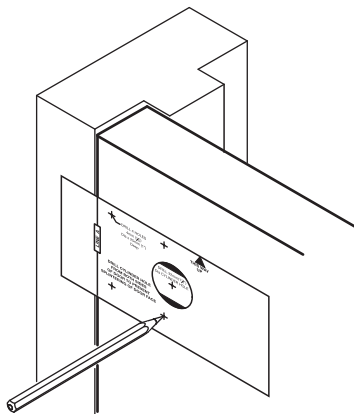
INSTALLATION INSTRUCTIONS

SUITABLE FOR INWARD OPENING & SLIDING DOORS ONLY



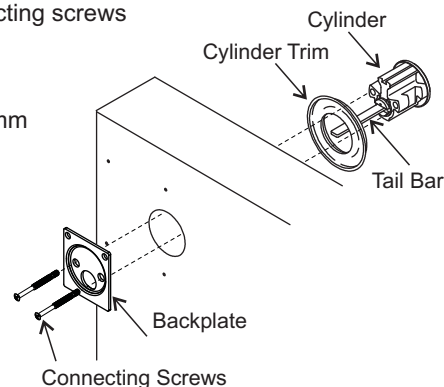
1. PREPARE DOOR

- Select side of door to mount lock and place template at the desired height. Align Line 'A' with the door edge. Mark cylinder and mounting hole positions.
- Bore Ø32mm cylinder hole and 4 x Ø3 mounting holes.



2. PREPARE CYLINDER

- Assemble cylinder to cylinder trim, and insert through cylinder hole.
- Secure backplate to cylinder using the 2 connecting screws supplied.
- Cut tail bar so that it projects 12mm beyond the inside of the door.



P/No. YDK-121 Iss. A 1209



DRILL 4 HOLES
DIA 3mm

THIS WAY
UP

LINE A

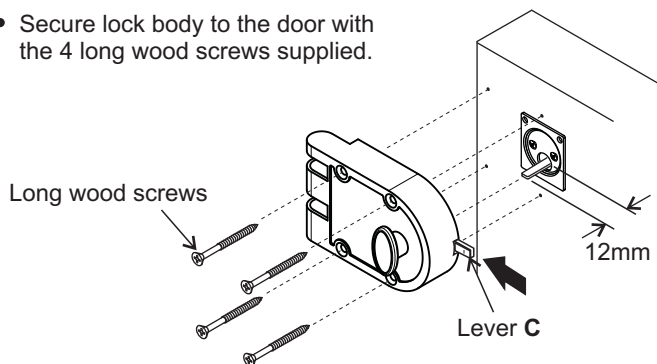
DRILL 32mm(1¼")
Dia CYLINDER HOLE

DRILL CYLINDER HOLE
FROM BOTH SIDES
OF DOOR TO PREVENT
SPLINTERING OF DOOR FACE

○ **TEMPLATE**

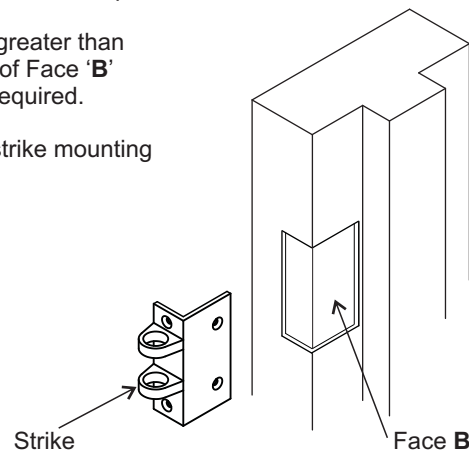
3. ASSEMBLE LOCK BODY

- While pushing in Lever 'C', assemble lock body to door, engaging the tail bar with the slot in the back of the lock body.
- Secure lock body to the door with the 4 long wood screws supplied.



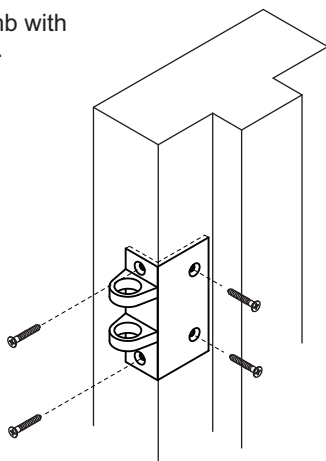
4. PREPARE DOOR JAMB

- Depending on the door gap, mortise door jamb to accept strike.
For door gaps greater than 3mm, rebating of Face 'B' should not be required.
- Mark and drill strike mounting holes.



5. ASSEMBLE STRIKE

- Secure strike to door jamb with the 4 short wood screws.



YALE GUARANTEE

ASSA ABLOY warrants its YALE branded products against defects in workmanship and materials, subject to the limitations and exclusions set out in this Warranty. If, within the normal working life of a product, it is found to be defective, and none of the limitations and exclusions set out in this Warranty apply, ASSA ABLOY will supply the same or equivalent product free of charge. This is the only remedy granted by ASSA ABLOY under this Warranty.

Limitations

All electrical and electronic components used in ASSA ABLOY's YALE range of products (excluding batteries) are guaranteed for a period of 12 months from the date of proof of purchase, unless stated otherwise.

Exclusions

This Warranty does not cover:

- 1) Damage to or malfunction or failure of the YALE product caused or contributed to by:
 - a) improper installation or failure to follow fitting instructions;
 - b) improper maintenance;
 - c) fair wear and tear;
 - d) any modification or repair which has not been authorized by ASSA ABLOY;
 - e) use of substitute or replacement parts or cylinders other than genuine ASSA ABLOY parts or cylinders; or
 - f) use of batteries other than those specified by ASSA ABLOY.
- 2) The cost of:
 - a) removal and/or replacement of the YALE product;
 - b) freight and/or travelling time;
 - c) replacement batteries; or
 - d) any modification or repairs to a YALE product, unless authorised by ASSA ABLOY.
- 3) Damage to or deterioration of the plated finishes which are classified as soft finishes, and are subject to deterioration under some environmental conditions.
- 4) Damage caused by corrosion when the Yale product is used in a corrosive environment.
- 5) Personal injury, property damage or economic loss, however caused. This Warranty is in addition to and not in substitution for any rights of the purchaser under individual local legislation where the product is sold.